

FLOS

■ F3172030 Black

IC Lights T2

Designed by Michael Anastassiades, 2014



Halogen - 205W

Table lamp providing diffused light. Frame in brass, brushed and transparent varnished or chrome steel. Blown glass opal diffuser. Dimmer on the power chord.

Are you a professional and your project needs consulting and support?

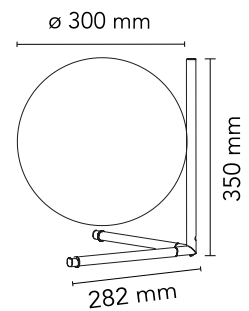
[BOOK AN APPOINTMENT](#)

Main specifications

EAN	8059607002902
Mounting	Table
Environments	Indoor dry location
Light Source Type	Bulb
Lamp category	Halogen
Lamp holders	E27
Ilcos	HSGS
Number of heads	1
Power (W)	205

Physical

Colour	Black
Length (mm)	300
Net weight (kg)	2.35
Package height (mm)	0
Package width (mm)	0
Package length (mm)	0
Package volume (m3)	0.07
IP internal	20



Download

[Mounting instructions](#) PDF

[Spare Parts](#) PDF

Photometric Files

[LDT / IES](#) LDT

Technical Drawings

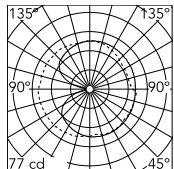
[2D](#) ZIP

[3D](#) ZIP

[Bim](#) ZIP



Schematic light drawing



Luminous flux Luminaire
1252 lm

Photometric

Lighting type	Total
Light distribution	Asymmetric

Electrical

Insulation class	II
Frequency (Hz)	50/60
Main voltage (Vac)	220-240
LED voltage Vf (Vdc)	null
Dimmable	Yes
Dimming interface	Dimmer Integrated
Plug type	Type C
Batteries inside	No

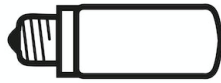
Bulbs



NOT INCLUDED

RF32288

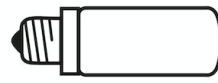
LED Lamp E27 15W 2700K T38



NOT INCLUDED

RF32289

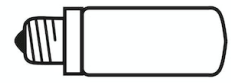
LED Lamp E27 15W 3000K T38



NOT INCLUDED

RF26259

LED Lamp 18W E27 2700K
Dimmable

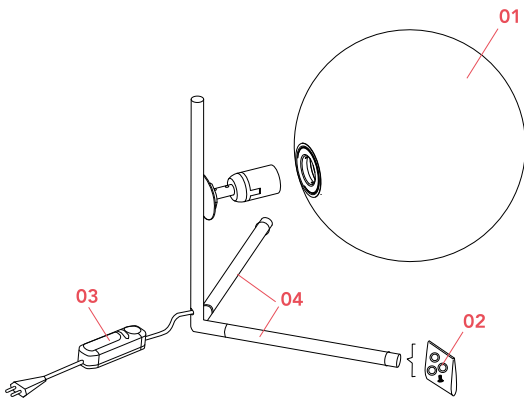


NOT INCLUDED

RF26258

LED Lamp 18W E27 3000K T38
Dimmable

Spare Parts



02. Gasket and foot kit RF3160500

03. Dimmer 4-25W 220-240V Black RF32262

04. Lower black leg RF27824

DOWNLOAD



RF3160500

Gasket and foot kit



RF32262

Dimmer 4-25W 220-240V Black



RF27824

Lower black leg