



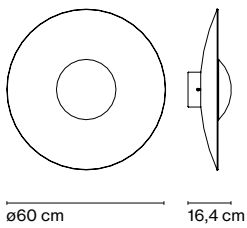
# Ginger

## Joan Gaspar

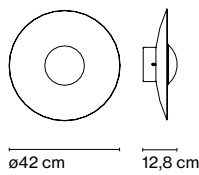
**marset**



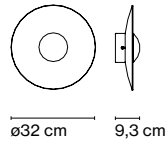
**Ginger 60C**



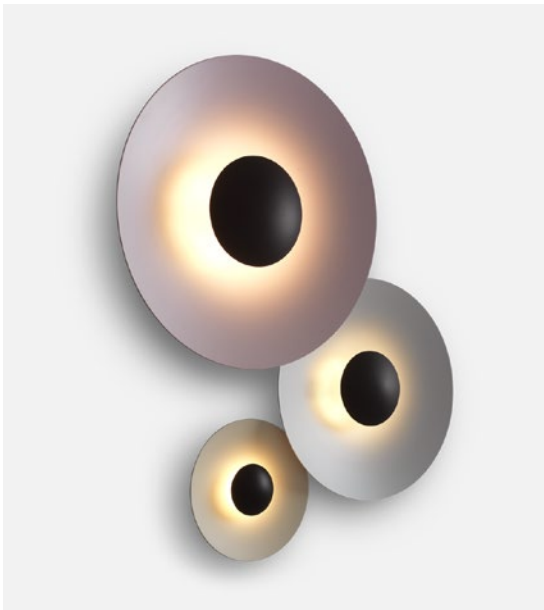
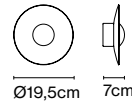
**Ginger 42C**



**Ginger 32C**



**Ginger 20C**



**Ginger 20C**

LED SMD 6W 350mA 2700K CRI90  
Light Source 139lm  
(included)

**Ginger 32C**

LED SMD 11,5W 700mA 2700K CRI90  
Light Source 1066lm Luminaire 350lm  
(included)

**Ginger 42C**

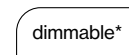
LED SMD 21,7W 700mA 2700K CRI90  
Light Source 2130lm Luminaire 698lm  
(included)

**Ginger 60C**

LED SMD 28W 700mA 2700K CRI90  
Light Source 3023lm Luminaire 1165lm  
(included)

**Pressed wood or brushed aluminum diffuser.  
Injected and lacquered black metal matte alu-  
minium dissipater.**

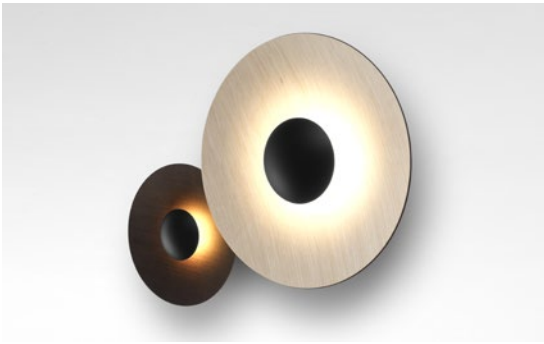
- Oak - Oak
- Wenge - Wenge
- Oak - White
- Wenge - White
- Brushed brass - Brushed brass
- Black - White
- Mauve (RAL 010 70 10)
- Sand (RAL 050 85 10)
- Stone Grey (RAL 000 65 00)



\*Phase cut dimmer lea-  
ding and trailing edge  
(Triac)

- [Download](#) Assembly Instructions
- [Download](#) Photometric Data
- [Download](#) 2D
- [Download](#) 3D
- [Download](#) Energy label

Wood is a great ally of cozy lighting. It is a material that is hard to mold, a challenge that the Ginger collection neatly resolves. The combination of sheets of wood and paper pressed together under high pressure achieves a laminate that appears almost entirely flat. Within the same collection, Ginger is also published in metal.

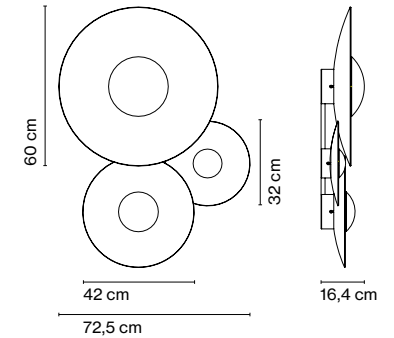
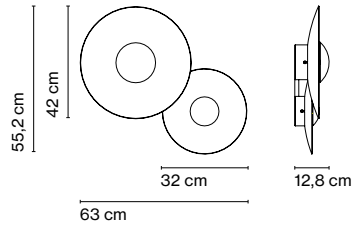
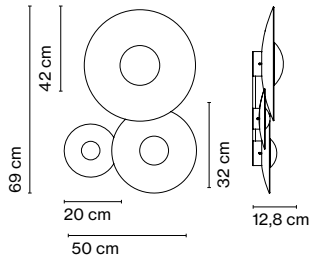
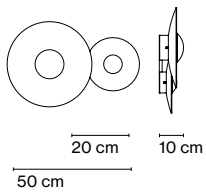


Accessory C2 20/32

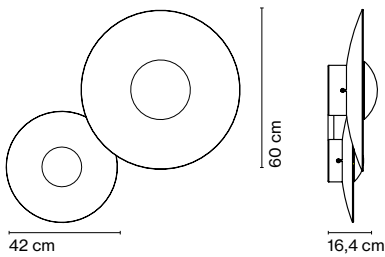
Accessory C3 20/32/42

Accessory C2 32/42

Accessory C3 32/42/60



Accessory C2 42/60



**Accessory C2 20/32**

LED SMD 13,9W 700mA 2700K CRI90  
Light Source 1205lm  
(included)

**Accessory C3 20/42/60**

LED SMD 35,6 700mA 2700K CRI90  
Light Source 3335lm  
(included)

**Accessory C2 32/42**

LED SMD 33,2W 700mA 2700K CRI90  
Light Source 3196lm Luminaire 1048lm  
(included)

**Accessory C3 32/42/60**

LED SMD 60,2W 700mA 2700K CRI90  
Light Source 6219lm Luminaire 2213lm  
(included)

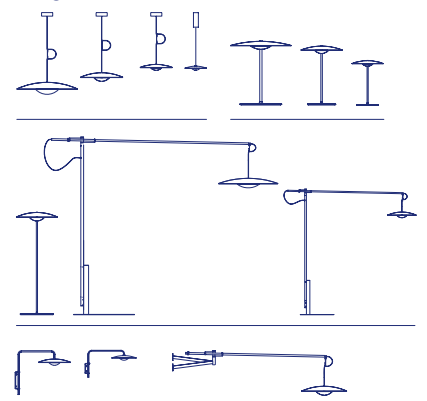
**Accessory C2 42/60**

LED SMD 50,2W 700mA 2700K CRI90  
Light Source 5153lm Luminaire 1863lm  
(included)

**Pressed wood or brushed aluminium diffuser.  
Injected and lacquered black metal matte aluminium dissipater.**

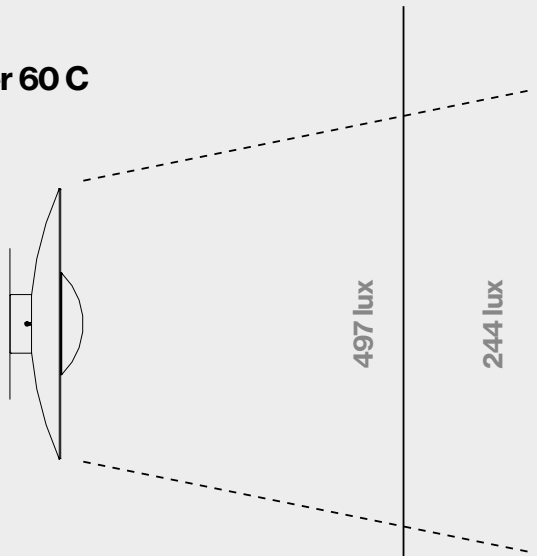
- Oak - Oak
- Wenge - Wenge
- Oak - White
- Wenge - White
- Brushed brass - Brushed brass
- Black - White
- Mauve (RAL 010 70 10)
- Sand (RAL 050 85 10)
- Stone Grey (RAL 000 65 00)

**Range**

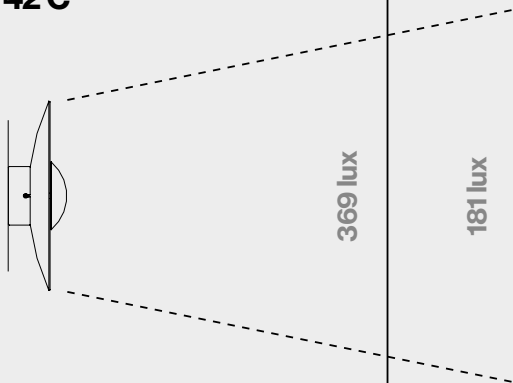


### How Ginger illuminates

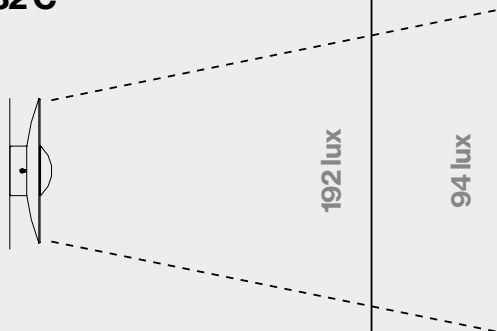
**Ginger 60 C**



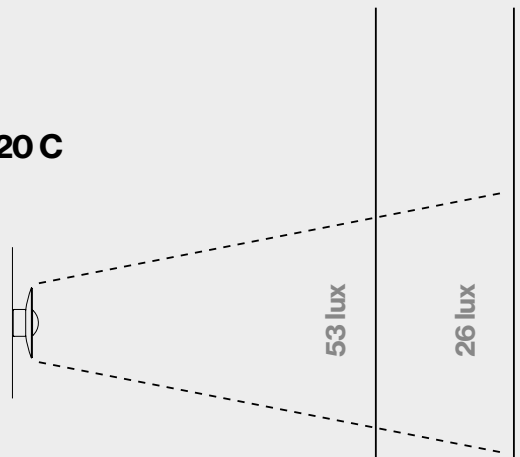
**Ginger 42 C**



**Ginger 32 C**



**Ginger 20 C**



At 70 cm

At 100 cm

At 70 cm

At 100 cm