

FLOS

F1850044 Anodized Champagne

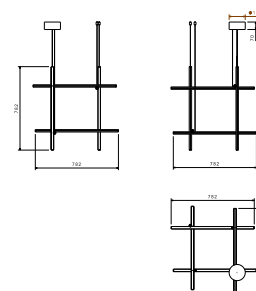
Coordinates Suspension 3

Designed by Michael Anastassiades, 2020



71W - 3850lm - 2700K - CRI > 95

Coordinates is a lighting system with diffuse light composed of horizontal and vertical luminaries arranged in a bright grid of various shapes and complexities. Each element is made of extruded anodized aluminium with a champagne finish and a diffuser in platinum optical silicone with an integrated LED strip (CRI 95). Each element is powered and supported by an invisible electrical and mechanical connection designed specifically to allow for the composition of the 4 hanging models (S1, S2, S3, S4) with 2.4-m cables. The 'S Module' is also available. Its geometry was designed to be repeated to create large grids for custom installations. Each Coordinates configuration includes its own ceiling rose, whose integrated electronics allow for the use of different dimmer systems: push, 1-10, DALI. In the absence of these systems, the amount of light can be set during installation with the push system included in the rose. The related CI III version is also available for each configuration for installations with a remote power supply.



Are you a professional and your project needs consulting and support?

[BOOK AN APPOINTMENT](#)

Download

Mounting instructions [↓ PDF](#)

Photometric Files

ULD [↓ ZIP](#)

Technical Drawings

3D [↓ ZIP](#)

[🔒 Bim](#) [↓ ZIP](#)

Main specifications

EAN	8059607001653
Mounting	Suspension
Environments	Indoor dry location
Light Source Type	LED
LED type	LED Module
Power (W)	71
System flux (lm)	3850

Physical

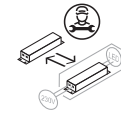
Colour	Anodized Champagne
Length (mm)	780
Cord length (mm)	2400
Canopy dimension (mm)	71
Canopy width (mm)	149
Net weight (kg)	3.2
Package height (mm)	0
Package width (mm)	0
Package length (mm)	0
Package volume (m3)	0.04
IP internal	20

Ecodesign and Energy Labelling

This product contains a light source of energy efficiency class F



Replaceable (LED only) light source by a professional



Replaceable control gear by a professional



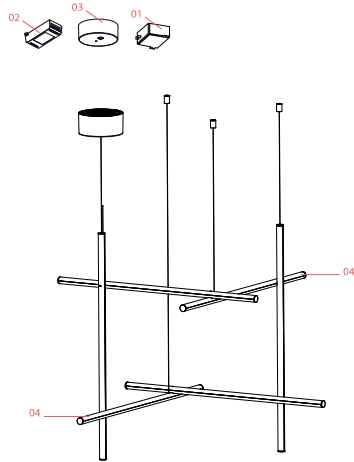
Photometric

Lighting type	Total
Light distribution	Asymmetric
CCT (K)	2700
CRI>	95

Electrical

Insulation class	I
Frequency (Hz)	50/60
Main voltage (Vac)	100-240
LED voltage Vf (Vdc)	null
Driver	Integrated
Dimmable	Yes
Dimming type	Dimmable 0-10V, Dimmable Push, Dimmable 1-10V, Dimmable DALI 1
Dimming interface	Remote Dimmable (Dimmer Not Included)
Batteries inside	No

Spare Parts



- | | | |
|-----|--|-----------|
| 01. | Power supply kit for Arrangements small & Noctambule | RF0410500 |
| 02. | Led dimmer kit | RF0410300 |
| 03. | Assembly Rose for Coordinates S Anodized Champagne | RF1872144 |
| 04. | Rod Assembly L780 SH-03 Agent | RF31372 |
| 05. | Rod Assembly L780 SA-01 Anodized Champagne | RF31448 |
| 06. | Rod Assembly L780 S-04 Anodized Champagne | RF31450 |
| 10. | Rod Assembly L780 H-02 Anodized Champagne | RF31449 |



RF0410500
Power supply kit for
Arrangements small &
Noctambule



RF0410300
Led dimmer kit



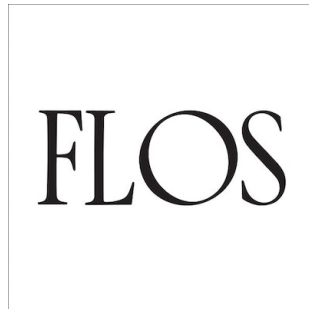
RF1872144
Assembly Rose for Coordinates S
Anodized Champagne



RF31372
Rod Assembly L780 SH-03 Agent



RF31448
Rod Assembly L780 SA-01
Anodized Champagne



RF31450
Rod Assembly L780 S-04
Anodized Champagne



RF31449
Rod Assembly L780 H-02
Anodized Champagne